


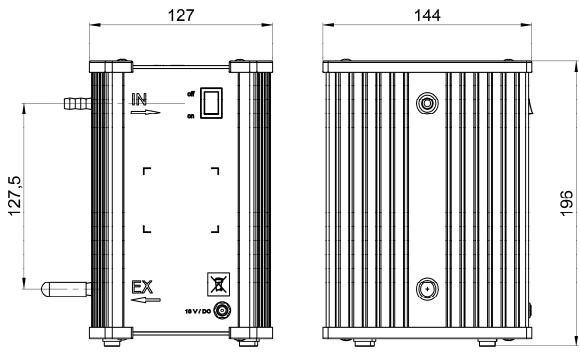
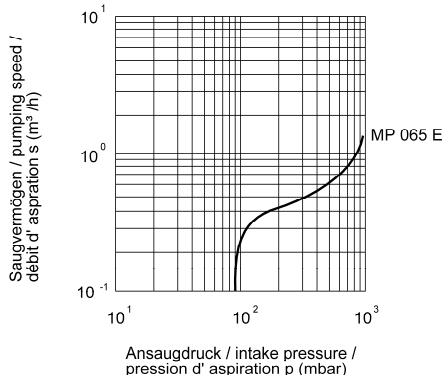
Data Sheet (EN)

Translation of the german original

Designation, Model:	Order number:
Diaphragm pump MP 065 E	411011

Figure:	Description:
	<p>The diaphragm pump MPC 065 E consists of a pump body, a drive motor and a casing. The pump body consists of an eccentric shaft, two connecting rod and two pump heads. Each pump head contains a diaphragm and two work valves. The pump heads are in each case to A and B-sides shaft end of the motor.</p> <p>The pump heads are driven via the motor and the eccentric shaft with a connecting rod. The pump is in a closed casing.</p> <p>The suction connector is designed as a hose nozzle DN 6. Under it is exhaust side installed on the hose nozzle DN 6 an exhaust damper. This can also be withdrawn as required.</p> <p>The electrical connection to the pump becomes over the plug connector.</p> <p>The diaphragm pump is switched on and off at the ON/OFF switch.</p>

Application:	Materials of the medium-affecting parts:	
<p>The Diaphragm pump M065 E is intended to:</p> <ul style="list-style-type: none"> • Pumping and compressing neutral and aggressive gases and vapours according to the resistance of the indicated materials • Generating a vacuum down to an ultimate pressure < 100 mbar • Use in physical and chemical laboratories in trade and industry • Use for vacuum drying and other vacuum technology applications 	Seals	EPDM
	Screw fittings / Connection elements	PVDF, PP
	Valves	PEEK
	Diaphragms	Elastomer with PTFE layer
	Vacuum hoses	PTFE
	Connection heads / Pump heads	PTFE with carbon-fibre reinforcing

Dimensional drawing:	Intake pressure-/Pumping speed - Diagram:
	


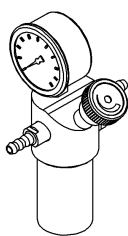

Data Sheet (EN)


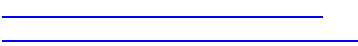
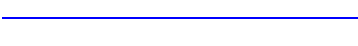
Translation of the german original



Technical Data:		
Parameter	Data	Unit
Pumping speed ISO 21360-1	0.7	m ³ /h
	11.6	l / min
Ultimate pressure (Basic pressure) ISO 21360-1	100	mbar
Max. inlet pressure	1	bar
Max. outlet pressure	Ambient pressure	l / min
Ambient temperature	+ 10 to + 40	°C
Max. Media temperature	≤ + 40	
Noise level DIN EN ISO 2151	< 45	dB (A)
Rated voltage	115 to 240	VAC
Rated frequency	50 / 60	Hz
Rated power	30	W
Rated voltage motor	18	VDC
Vacuum pump including housing	Protection class III (SELV)	-
Power pack	Protection class II	-
Motor - Class of insulation DIN VDE 0530	120 E	°C
Operating mode DIN VDE 0530	S 2	-
Operating time per day - permissible	6	h
Type of protection DIN EN 60529	IP 44	-
Weight	2,3	kg
Dimensions W/D/H	144 / 127 / 196	mm

Connections:		
Intake port Pump „IN“	Hose nozzle DN 6 for hose inside diameter 6 mm	-
Pressure port Pump „EX“	Hose nozzle DN 6 for hose inside diameter 6 mm with exhaust damper (removable)	-
Power pack Input - Change connector	UL / CEE / US	-
Power pack Output	2.1 / 5 (Inside-/ Outside-Ø) DC hollow plug	mm

Accessories:			
	Inline Filter Kit (DN 6 + DN 8) 2 Silicon hoses & Filter hydrophobic Order no. 404008		Vacuum-Regulator with dial gauge Model DBR-A To the installation at the side profiles of the diaphragm pumps. Pressure range 1000 - 1 mbar Vacuum connection, suction side: Hose nozzle DN 6 Order no. 700458-02
	Silicon hose Inside Diameter = 6 mm x Wall thickness = 3 mm Order no. 828374		

	 
<p>We are constantly working on the further development of all our product types. Reprinting or reproduction of this manual, including extracts, is not allowed without the prior written permission of Co. Gardner Denver Thomas GmbH. All rights under the copyright laws are expressly reserved by Co. Gardner Denver Thomas GmbH. We reserve the right to make changes and amendments.</p>	
<p>The information presented in this material is based on technical data and test results of nominal units. It is believed to be accurate and reliable and is offered as and aid to help in the selection of products. It is the responsibility of the user to determine the suitability of the product for the intended use and the user assumes all risk and liability whatsoever in connection therewith. Gardner Denver Thomas GmbH does not warrant, guarantee or assume any obligation or liability in connection with this information.</p>	



WolfLabs

Pricing on any accessories shown can be found by keying the part number into the search box on our website.

The specifications listed in this brochure are subject to change by the manufacturer and therefore cannot be guaranteed to be correct. If there are aspects of the specification that must be guaranteed, please provide these to our sales team so that details can be confirmed.

www.wolflabs.co.uk

Tel : 01759 301142

Fax : 01759 301143

sales@wolflabs.co.uk

Please contact us if this literature doesn't answer all your questions.